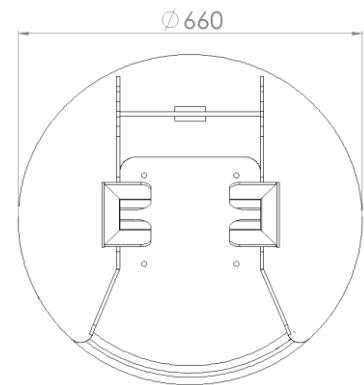
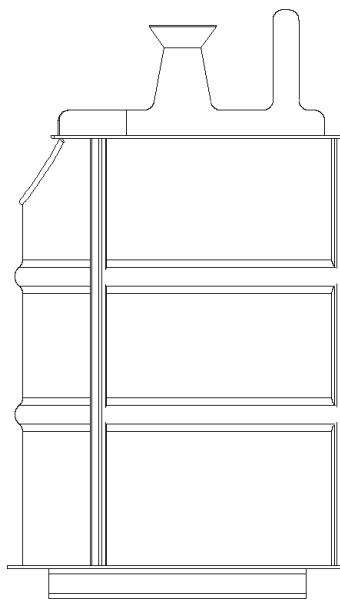
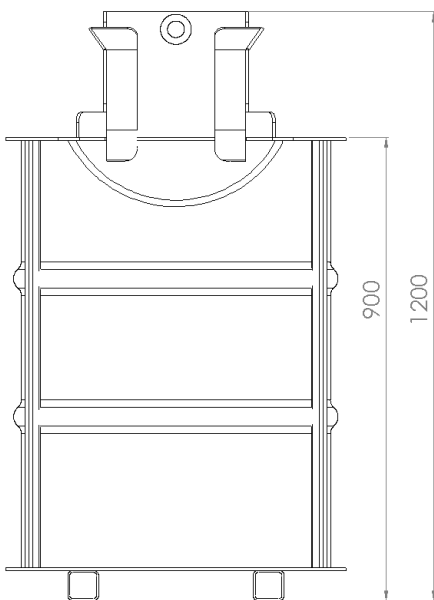


Chain Storage Barrel - CSB 1.0



- * RAMS designed and engineered chain storage barrel.
- * The CSB supports the chain sling master link to allow easy access for crane hooks and neat storage of chain sling.
- * Supplied with 9.5t shackle lift point.
- * Full steel construction, powdered coated finish.
- * Trolley available upon request, for transportation by personnel.
- * Designs available for various master link sizes. Please contact for details.
- * Tare weight: 83kg
- * **Custom designs/dimensions/colours available, contact sales at RAMS for details.**



Chain sling not included.