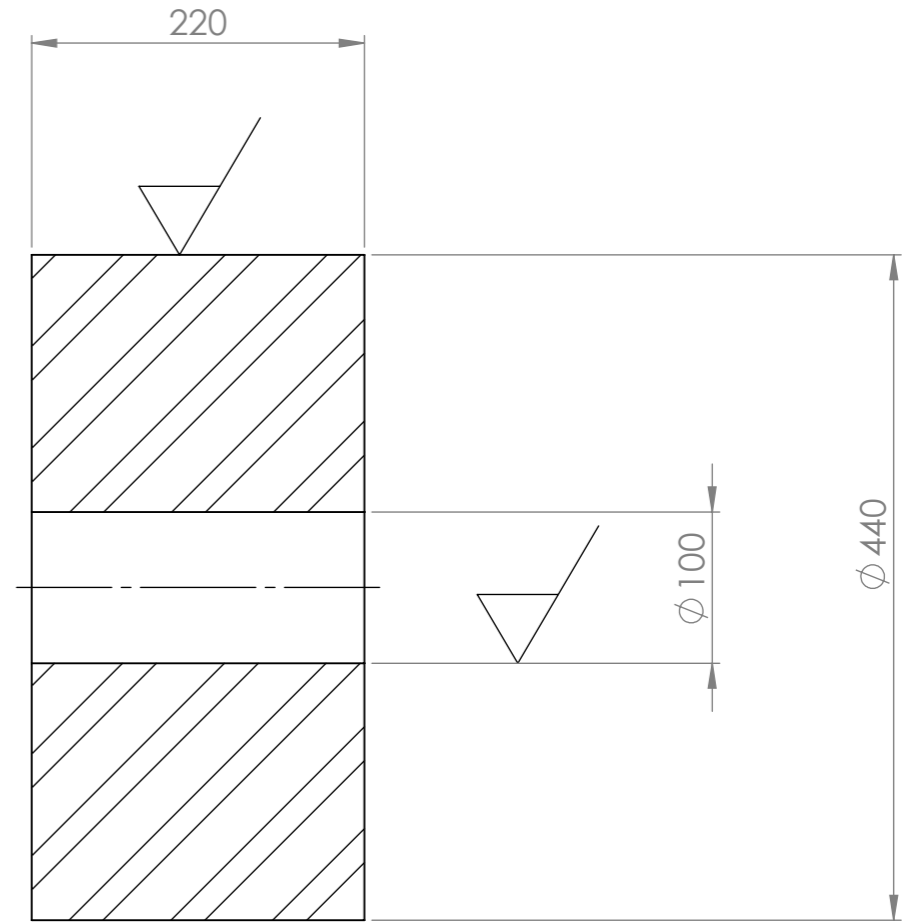


MATERIAL: MILD STEEL
 TARGET WEIGHT 248KG

TOLERANCE ON OD AND ID NOT CRITICAL BUT IT MUST ROLL AND THEREFORE WILL REQUIRE SOME MACHINING.



SECTION A-A

RAMS LIFTING GEAR		FINISH: NONE AS MATERIAL	DEBURR AND BREAK SHARP EDGES	DO NOT SCALE DRAWING	REVISION
				ROPE AND MARINE SERVICES	
				TITLE: 250KG ROLLER WEIGHT (ROLLER)	
DRAWN			DWG NO. 250KG ROLLER WEIGHTS		
CHK'D			SCALE:		
APPV'D			SHEET 1 OF 1		
MFG			A3		
Q.A			MATERIAL: SEE PARTS LIST		
			WEIGHT:		